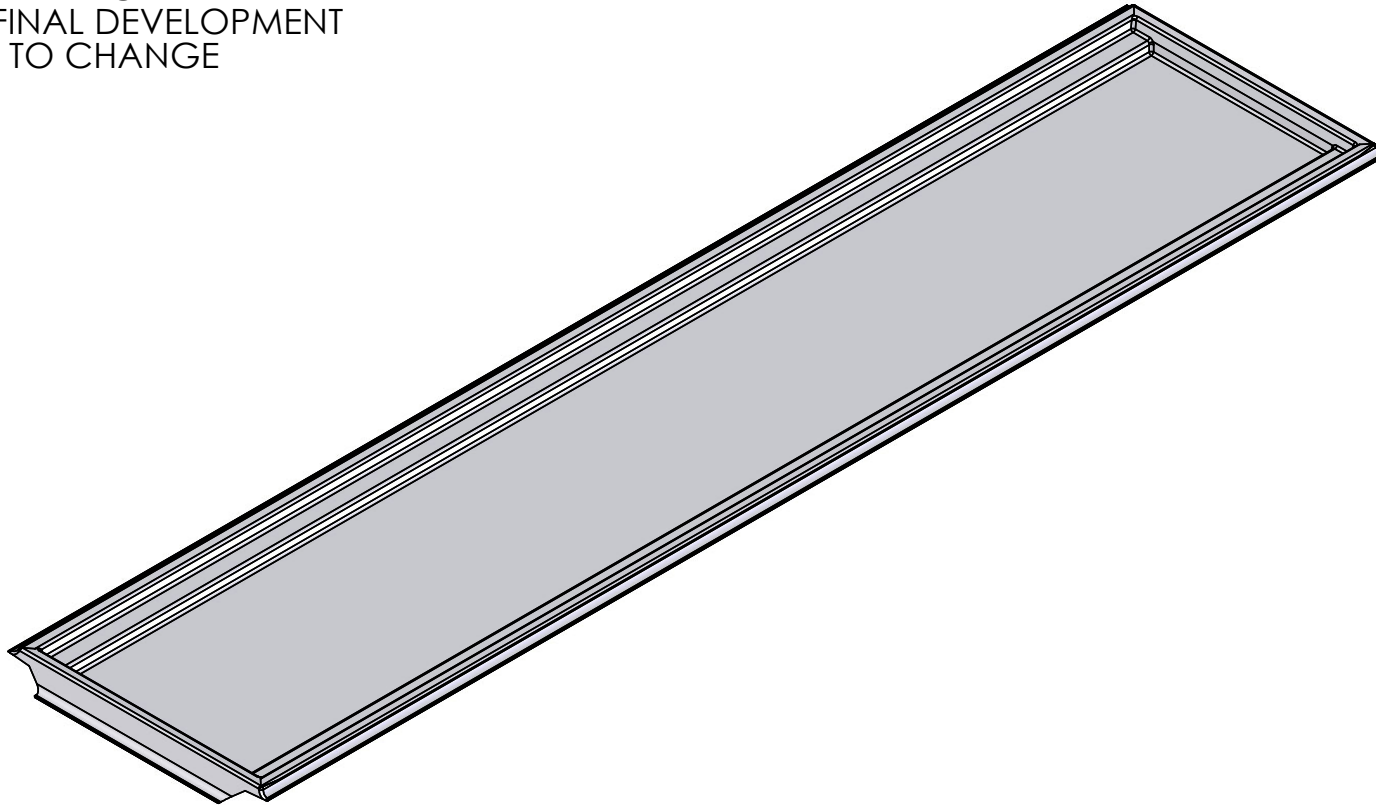


PRELIMINARY DRAWING  
PART IS STILL IN FINAL DEVELOPMENT  
AND IS SUBJECT TO CHANGE



**ISOMETRIC VIEW**

**PROPRIETARY AND CONFIDENTIAL**  
THE INFORMATION CONTAINED IN THIS DRAWING IS THE SOLE PROPERTY OF ULTRATECH INTERNATIONAL, INC. ANY REPRODUCTION IN PART OR AS A WHOLE WITHOUT THE WRITTEN PERMISSION OF ULTRATECH INTERNATIONAL, INC. IS PROHIBITED.

		UNLESS OTHERWISE SPECIFIED:		NAME	DATE	ULTRATECH INTERNATIONAL, INC.		
		DIMENSIONS ARE IN INCHES TOLERANCES: FRACTIONAL ± ANGULAR: MACH ± BEND ± TWO PLACE DECIMAL ± THREE PLACE DECIMAL ±	DRAWN	MPC	6/30/15	TITLE:  ULTRA-TRACK PAN COMPOSITE MODEL CENTER PAN		
			CHECKED	MPC	6/30/15			
			ENG APPR.					
			MFG APPR.					
		INTERPRET GEOMETRIC TOLERANCING PER:	Q.A.			SIZE DWG. NO. REV <b>A</b> 150630-01 0		
		MATERIAL	COMMENTS:					
NEXT ASSY	USED ON	FINISH						
APPLICATION		DO NOT SCALE DRAWING				SCALE: NTS	WEIGHT:	SHEET 1 OF 3

5

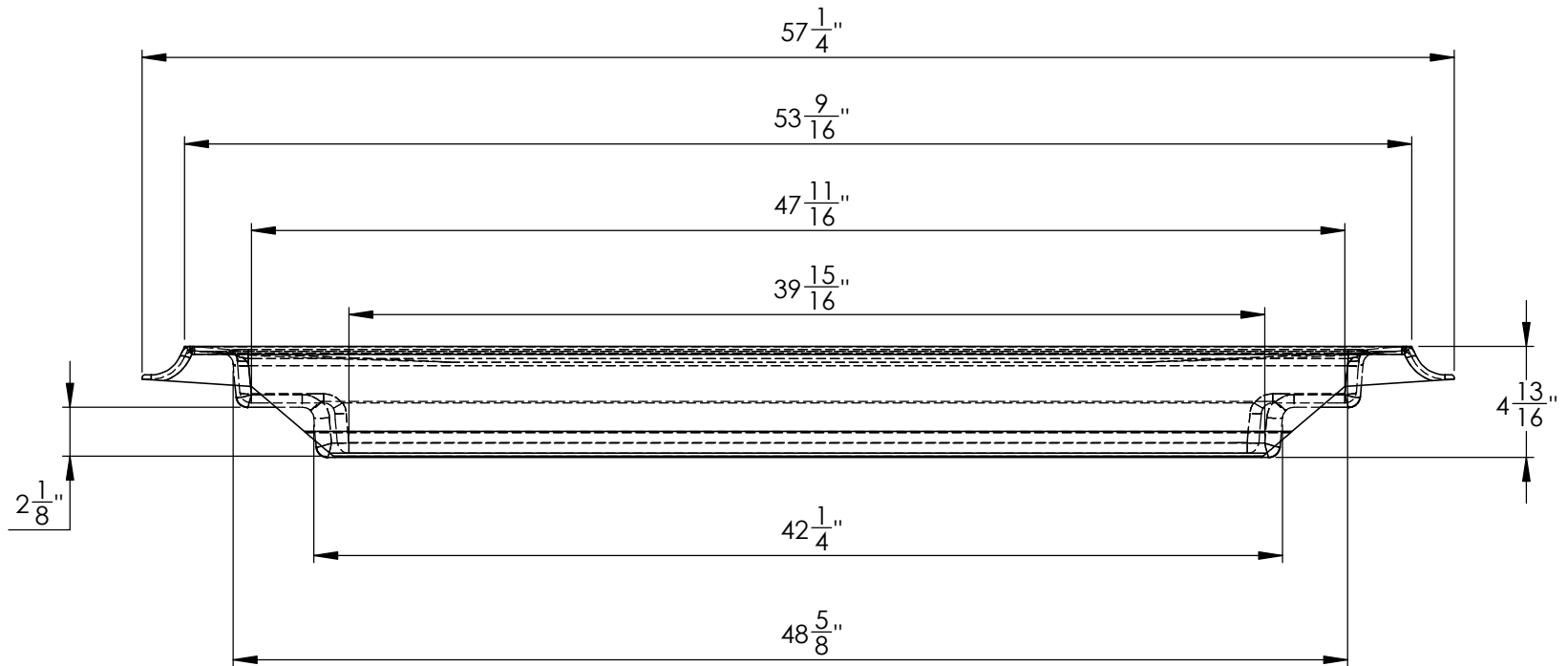
4

3

2

1

PRELIMINARY DRAWING  
PART IS STILL IN FINAL DEVELOPMENT  
AND IS SUBJECT TO CHANGE

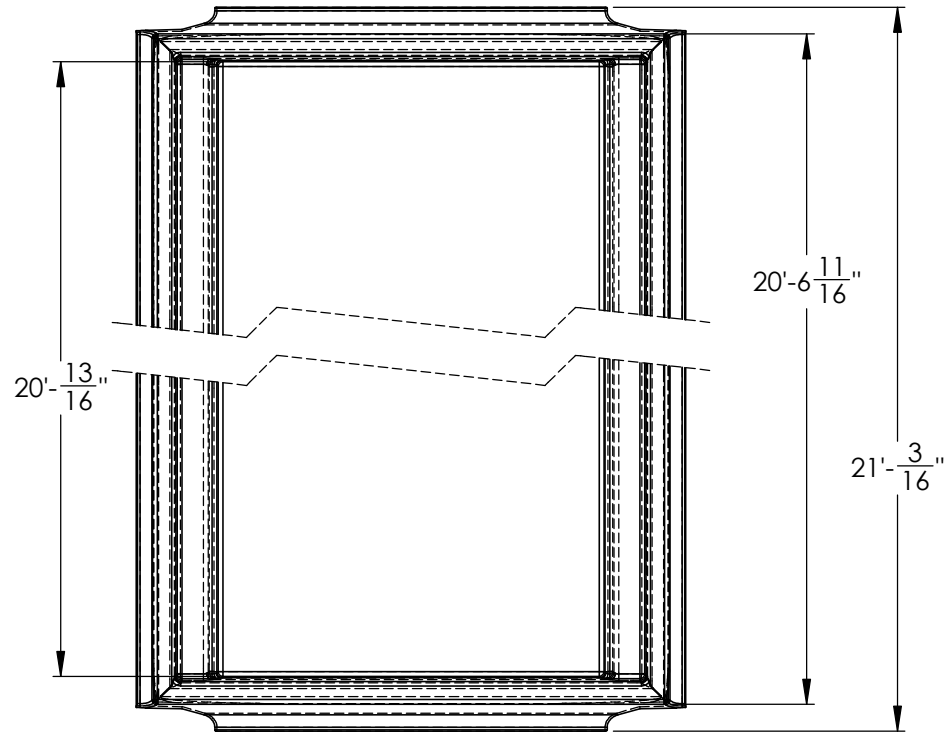


**FRONT VIEW**

**PROPRIETARY AND CONFIDENTIAL**  
THE INFORMATION CONTAINED IN THIS DRAWING IS THE SOLE PROPERTY OF ULTRATECH INTERNATIONAL, INC. ANY REPRODUCTION IN PART OR AS A WHOLE WITHOUT THE WRITTEN PERMISSION OF ULTRATECH INTERNATIONAL, INC. IS PROHIBITED.

		UNLESS OTHERWISE SPECIFIED:		NAME	DATE	ULTRATECH INTERNATIONAL, INC.		
		DIMENSIONS ARE IN INCHES TOLERANCES: FRACTIONAL ± ANGULAR: MACH ± BEND ± TWO PLACE DECIMAL ± THREE PLACE DECIMAL ±	DRAWN	MPC	6/30/15	TITLE:  ULTRA-TRACK PAN COMPOSITE MODEL CENTER PAN		
			CHECKED	MPC	6/30/15			
			ENG APPR.					
			MFG APPR.					
		INTERPRET GEOMETRIC TOLERANCING PER:	Q.A.			SIZE DWG. NO. REV <b>A</b> 150630-01 0		
		MATERIAL	COMMENTS:					
		FINISH						
NEXT ASSY	USED ON	APPLICATION	DO NOT SCALE DRAWING	SCALE: NTS	WEIGHT:	SHEET 2 OF 3		

PRELIMINARY DRAWING  
 PART IS STILL IN FINAL DEVELOPMENT  
 AND IS SUBJECT TO CHANGE



**TOP VIEW**

**PROPRIETARY AND CONFIDENTIAL**  
 THE INFORMATION CONTAINED IN THIS DRAWING IS THE SOLE PROPERTY OF ULTRATECH INTERNATIONAL, INC. ANY REPRODUCTION IN PART OR AS A WHOLE WITHOUT THE WRITTEN PERMISSION OF ULTRATECH INTERNATIONAL, INC. IS PROHIBITED.

		UNLESS OTHERWISE SPECIFIED:		NAME	DATE	ULTRATECH INTERNATIONAL, INC.		
		DIMENSIONS ARE IN INCHES TOLERANCES: FRACTIONAL ± ANGULAR: MACH ± BEND ± TWO PLACE DECIMAL ± THREE PLACE DECIMAL ±	DRAWN	MPC	6/30/15	TITLE:  ULTRA-TRACK PAN COMPOSITE MODEL CENTER PAN		
			CHECKED	MPC	6/30/15			
			ENG APPR.					
			MFG APPR.					
		INTERPRET GEOMETRIC TOLERANCING PER:	Q.A.			SIZE DWG. NO. REV <b>A</b> 150630-01 0		
		MATERIAL	COMMENTS:					
NEXT ASSY	USED ON	FINISH				SCALE: NTS	WEIGHT:	SHEET 3 OF 3
APPLICATION		DO NOT SCALE DRAWING						